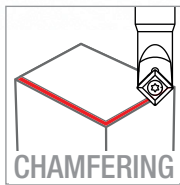
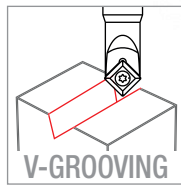
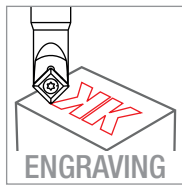
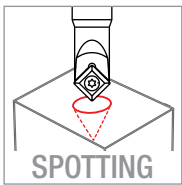
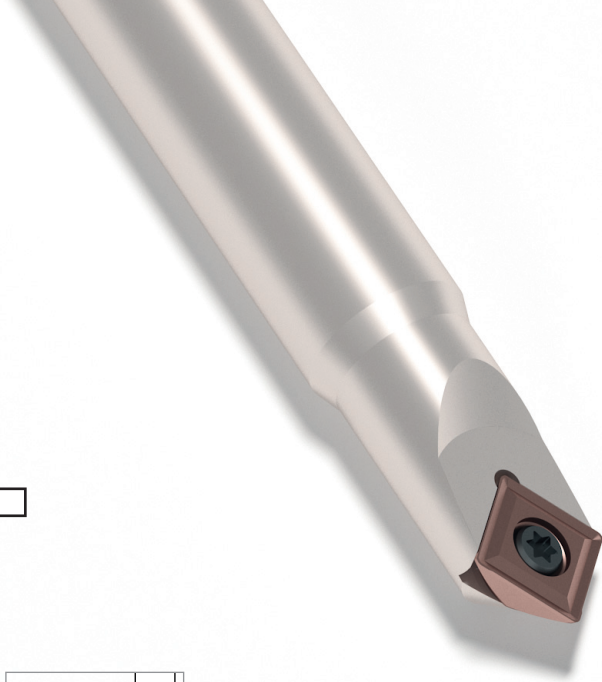



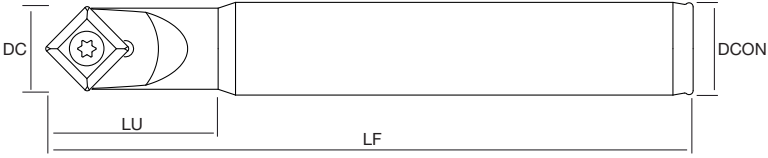

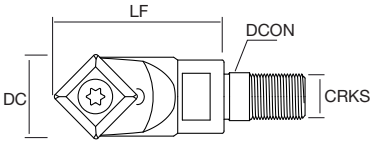
# SPOTDRILL

Multipurpose system





SPOT11	SPOTDRILL Multipurpose system				ISO513	COATED				UNCOATED								
	Size	IC	S	D1		HC-1SOP	HC-1SOM	HC-1SOK	HW-1SON									
	11	11	3.97	2.2	<b>P</b>	100 220												
					<b>M</b>		60 140											
					<b>K</b>			80 180										
					<b>N</b>				150 300									
					<b>S</b>													
					<b>H</b>													
GRADE APPLICATION AREA	Light cut, stable machining				+													
<span style="color: orange;">■</span> main application	Variable condition, general machining				Hardness													
<span style="color: lightorange;">■</span> applicable	Heavy cut, unstable machining				Toughness													
<b>GENERAL</b> 	SPOT	11R03-GP	RE 0.3	$f_n \blacktriangleright$ 0.04 $f_n \blacktriangleright$ 0.08	<b>0.07</b> <b>0.15</b>	0.10 0.22	●	●	●									
		11R08-GP	RE 0.8	$f_n \blacktriangleright$ 0.04 $f_n \blacktriangleright$ 0.08	<b>0.07</b> <b>0.15</b>	0.10 0.22	●	●	●									
	<b>ALUMINIUM</b>  polished surface	11R04-AL	RE 0.4	$f_n \blacktriangleright$ 0.06 $f_n \blacktriangleright$ 0.14	<b>0.09</b> <b>0.22</b>	0.12 0.30				●								
		11R08-AL	RE 0.8	$f_n \blacktriangleright$ 0.06 $f_n \blacktriangleright$ 0.14	<b>0.09</b> <b>0.22</b>	0.12 0.30				●								

● stock standard    feed rate for chamfering

<p><b>CYLINDRICAL</b></p> 								
<p><b>SCREW-IN</b></p> 								
<p><b>SPOT DRILL</b> Multipurpose system</p>	<p>DC (DCX)</p>	<p>Z</p>	<p>DCON</p>	<p>LF</p>	<p>LU</p>	<p>CRKS</p>	<p>WT (Kg)</p>	<p>MIID</p>

<p><b>CYLINDRICAL</b></p>	<p>NT-SPOT      D14-S16-L100</p>	<p>●</p>	<p>15.4 (14)</p>	<p>1</p>	<p>16</p>	<p>100</p>	<p>30</p>	<p>-</p>	<p>0,13</p>	<p>SPOT11</p>
	<p><b>SCREW IN</b></p>	<p>NT-SPOT      D14-M08-L052</p>	<p>●</p>	<p>15.4 (14)</p>	<p>1</p>	<p>8.5</p>	<p>35</p>	<p>-</p>	<p>M8</p>	<p>0,03</p>

● stock standard      DCX = maximum cutting diameter

<p><b>INSERT SIZE</b></p>	<p><b>SCREW</b></p> 	<p><b>WRENCH</b></p> 
	<p>11</p>	<p>NT-ST063 torque 3.5 Nm</p>



**KIT-SPOTDRILL**  
 1x NT-SPOT D14-S16-L100  
 2x SPOT11R08-GP HC-ISO P  
 2x SPOT11R08-GP HC-ISO M

**€ 70,00**

Sorma Spa  
 Via Don F. Tosatto, 8  
 30174 Mestre - Venezia  
 +39 041.959179  
 info@nikkotools.com

[www.nikkotools.com](http://www.nikkotools.com)

